



Features

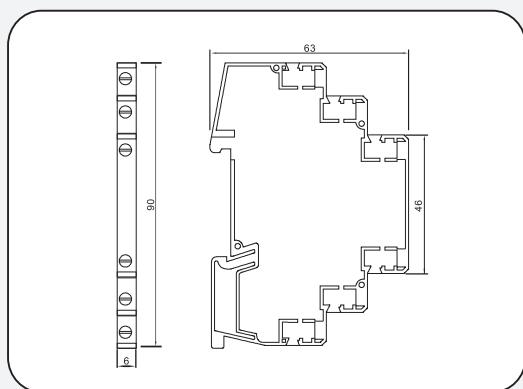
- High discharge capacity
- Narrow (6 mm only) design
- Low series impedance
- Terminal screw slim standardized modular protector

Approval

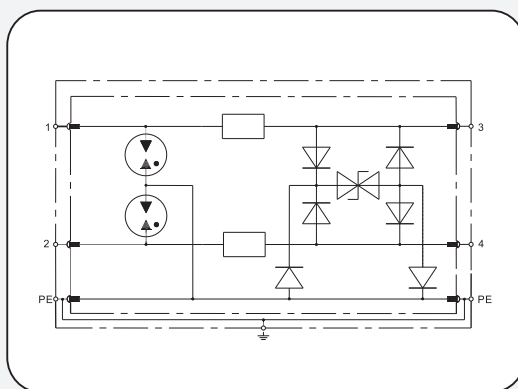
DIN rail, combined SPD with slim size for transmission systems and control systems lightning and over-voltage protection, and installation at the boundaries from LPZ 0A-2 and higher.

- RoHS
- UL 94 V-0

Dimension drawing



Circuit diagram



Type	G24DC-HC
Part No.	94 24 40
Electrical	
Test according to	IEC 61643-21/EN 61643-21/GB 18802.21
SPD Class	TYPE 1
Number of ports	2
Technology	GDT & TVS
Nominal Voltage (U_n)	24 V
Max. continuous operating d.c. voltage (U_c)	33 V
Max. continuous operating a.c. voltage (U_c)	23.3 V
Rated load current (45°C) (I_n)	0.5 A
D1 lightning impulse current (10/350 μ s) per line (I_{imp})	1 kA
C2 Nominal discharge current (8/20 μ s) per line (I_n)	5 kA
Voltage protection level (I_{imp} D1) (U_{oc}) (U_p)	65 V (line-line), 65 V (line-PE)
Voltage protection level (1 kV/ μ s C3) (U_p)	47 V (line-line), 47 V (line-PE)
Series impedance per line	1.8 ohm
Capacitance	≤ 25 pF (line-line), ≤ 25 pF (line-PE)
Transition rate	100 Mbps
Mechanical	
Method of mounting	35 mm DIN rail
Enclosure dimensions (HxWxD)	90 mm \times 6 mm \times 63 mm
Cross-sectional area (max.)	Flexible: 2.5 mm ²
Cross-sectional area (min.)	0.5 mm ²
Stripping length terminals	7 mm
Torque contacts	0.4 N*m
Environmental	
Location category	Indoor only
Operation temperature range (T_u)	-40°C ... +70°C
Relative humidity	$\leq 95\%$
Operation altitude	≤ 4 km
Degree of protection	IP 20
Enclosure material	Themoplastic, UL 94 V-0